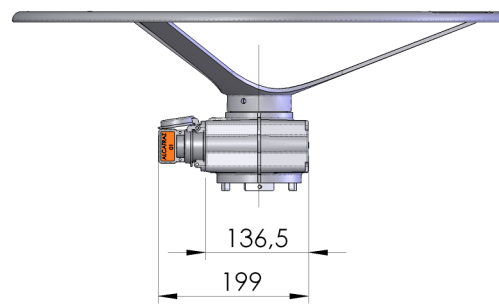
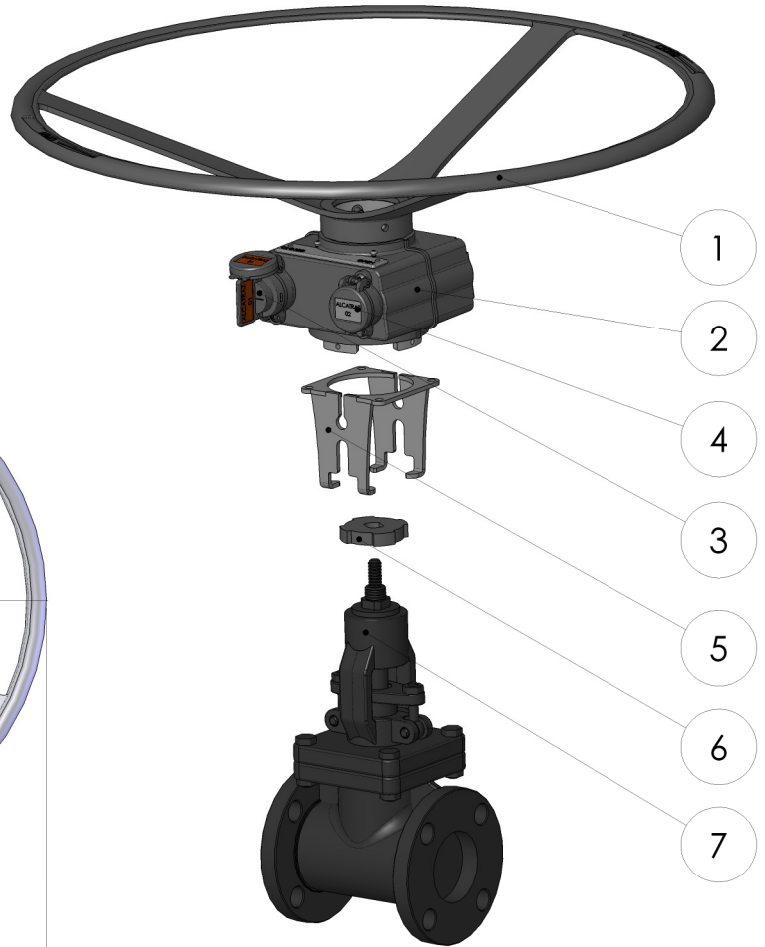
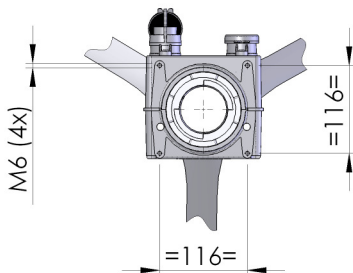
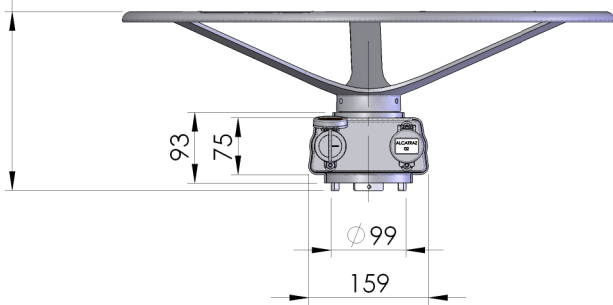
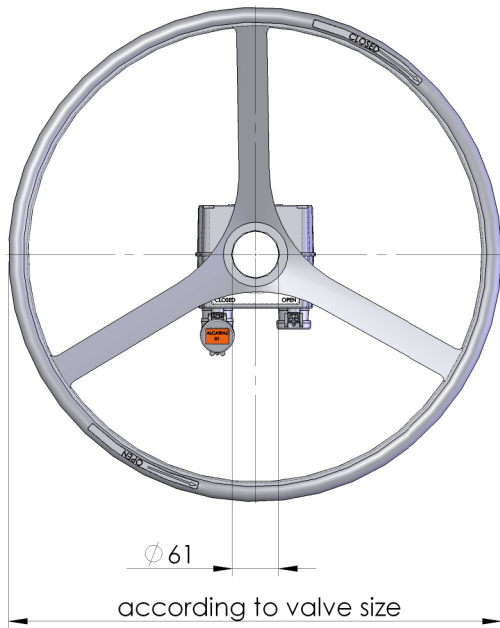


according to valve size



Pos	Description	Material
1	Hand Wheel	according to client specification
2	Multiturn main unit	AISI 316 Electro polished
3	Key	AISI 316 Electro polished
4	Lockportion incl. dustcap	AISI 316 Electro polished
5	Mounting bracket	AISI 316 or 304 (according to client spec)
6	Adapter	AISI 316 Electro polished
7	Ball valve (by buyer)	N.A.

ALCATRAZ
 INTERLOCKS BV
 THE KEY TO YOUR SAFETY IN OIL AND GAS INDUSTRY

General Arrangement Drawing for Integral Multi Turn Lock

Projection :	drawn : SS checked : DV date : 03-11-2010
	model : DML 2 type : LARGE print size : A4
	purpose : hand wheel operated valve interlock